

## Drop-In Heated Plate Dispenser, 2 cylinders - Ø180-300 mm

ITEM # \_\_\_\_\_

MODEL # \_\_\_\_\_

NAME # \_\_\_\_\_

SIS # \_\_\_\_\_

AIA # \_\_\_\_\_



341158 (D33H)

Drop-in heated Plate  
Dispenser, double cylinder,  
plate diameter 180-300 mm

### Short Form Specification

Item No. \_\_\_\_\_

Two cylinders plate lowerator: each cylinder can accommodate up to 50 plates of 300 mm diameter. Heated cylinder: allows to keep the plates hot at desired temperature. Guiding profiles inside the cartridges allows to accommodate different shaped plates/bowls.

### Main Features

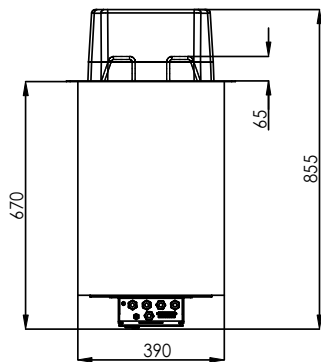
- Two cylinders plate lowerator: each cylinder can accommodate up to 50 plates of 300 mm diameter
- Heated cylinder: Allows to keep the plates hot at desired temperature.
- CB and CE certified by a third party notified body.
- Designed to be positioned in flush installation providing improved cleanability and suitable for modern design installations.
- As standard the product comes with digitally controlled thermostat which is in line of HACCP norms and provides visual alarm as a warning of the increasing or decreasing temperatures.
- Guiding profiles inside the cartridges allows to accommodate different shaped plates/bowls.
- Precise temperature control and setting at 0,1° C .

### Construction

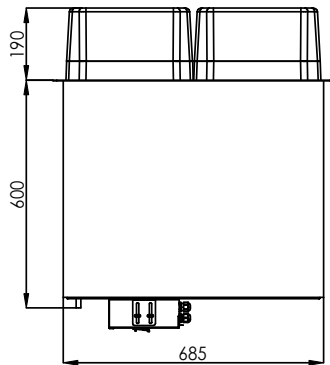
- IPx4 water protection.
- Electronic control with temperature display.

APPROVAL: \_\_\_\_\_

Front

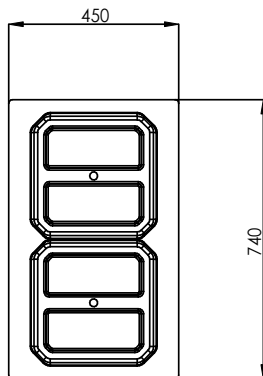


Side



EI = Electrical inlet (power)

Top



### Electric

**Supply voltage:**

341158 (D33H)

220-240 V/1N ph/50/60 Hz

**Electrical power max.:**

1.62 kW

### Key Information:

**External dimensions, Width:** 740 mm

**External dimensions, Depth:** 435 mm

**External dimensions, Height:** 700 mm

**Net weight:** 34 kg